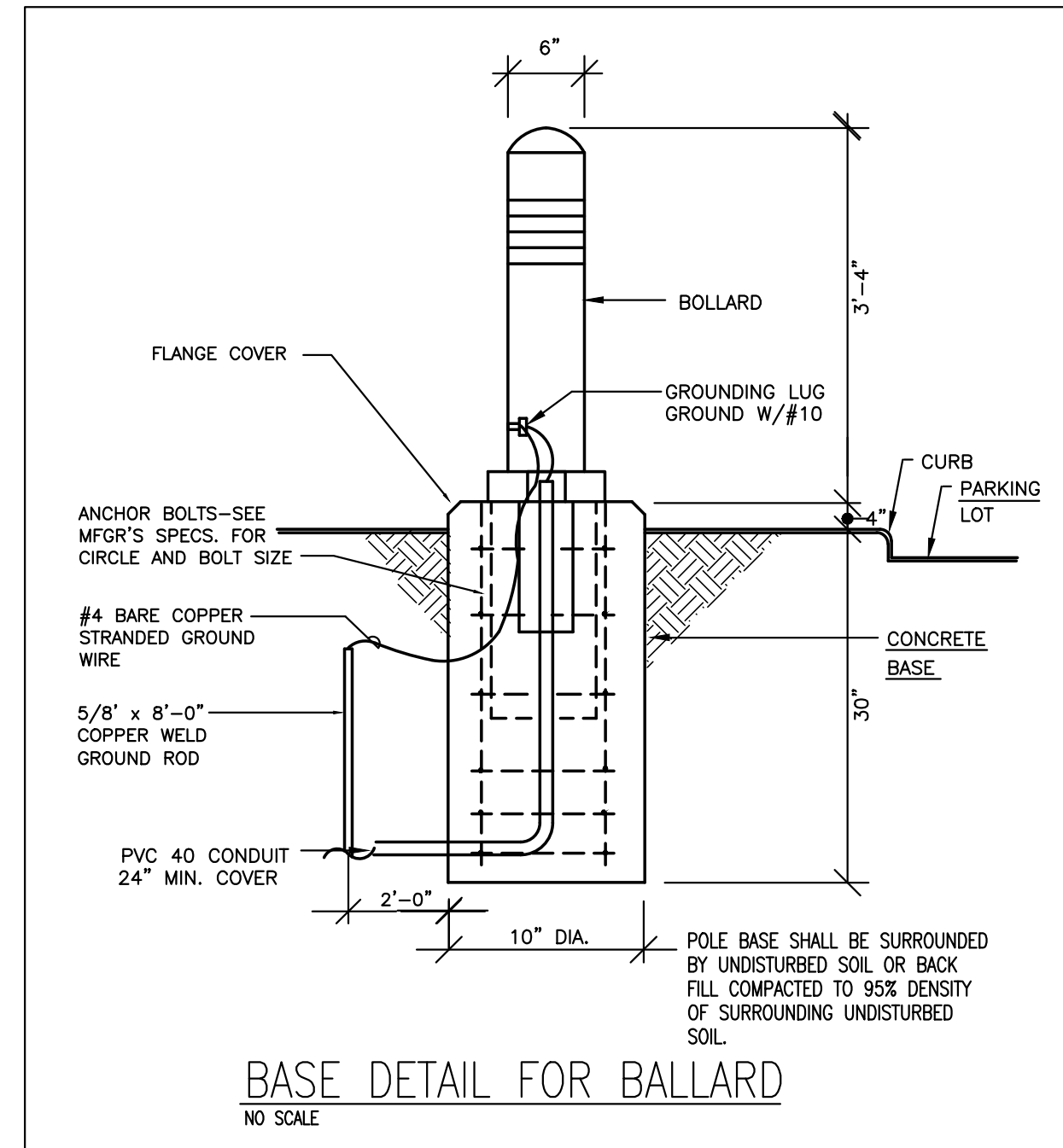


SITE PLAN - ELECTRICAL
SCALE: 1"=1'-0"

SITE PLAN NOTES	
1	MILLBANK PEDESTAL METER WITH 150A-120/208V-1Ø-4W-150A MCB 100% SERVICE RATED. PEDESTAL (WP).
2	(2) WAY 3" DUCTBANK - SEE RISER FOR ADDITIONAL INFORMATION. 36" BELOW GRADE. TO OVP TRANSFORMER.
3	
4	TERMINATION AT PANEL GH - 150A MCB-120/208V-1Ø-4W. - SEE RISER.
5	(2) 3" C WITH PULLSTRING TO MAIN BUILDING TELEPHONE ROOM COORDINATE WITH NOVA.
6	SITE BOLLARD. SEE ARCHITECTURAL DRAWINGS FOR ADDITIONAL INFORMATION.
7	VIA PHOTOCELL CONTROL.
8	PHOTOCELL CONTROL - TORK 200', 120V-1Ø-20A. ADJUSTABLE SETTING FAIL MODE 'ON'. MOUNT HIGH ON WALL.



HURST ENGINEERS
308 HILLWOOD AVE.
FALLS CHURCH, VA. 22046
(703) 534-7872

NOTE:
THE CONSTRUCTION OF THIS PROJECT REQUIRES THE CONTRACTOR TO COORDINATE WORK SHOWN ON THIS DRAWING WITH THAT OF ALL OTHER TRADES. IN ADDITION, ALL PIPING, CONDUITS, DUCTWORK, ETC., ARE TO BE INSTALLED WITHIN THE JOISTS / GIRDERS AND TO MAINTAIN THE MINIMUM REQUIRED CLEARANCES, U.O.N. THE CONTRACTOR SHALL BE RESPONSIBLE FOR PROVIDING THE ARCHITECT W/ COORDINATION DRAWING DEVELOPED BY SUB CONTRACTORS & REFLECTING ALL TRADES. CHANGES RESULTING FROM CONFLICTS WITH OTHER TRADES AND WORK, IN THE EVENT OF ANY CONFLICTS THE CONTRACTOR SHALL IMMEDIATELY NOTIFY THE ARCHITECT IN WRITING FOR CLARIFICATION BEFORE PROCEEDING.



DATE	DESCRIPTION	DESIGNED BY:	CHECKED BY:	APPROVED BY:
04/25/2019	SINGLE PHASE SERVICE CHANGE			
03/26/2019	BID/PERMIT SUBMISSION			



MEADOUARK CONSERVATORY GREENHOUSE
9150 MEADOUARK GARDENS CT, VIENNA, VA 22182
PROJECT NUMBER: 1810200
SCALE: AS SHOWN
SITE PLAN ELECTRICAL

